

# UxOAT 300W Series

Medical | Open Frame



▲ UxOAT3300 Series

CB CE UK CA FC

For further information of UxOAT 300W series' safety standard, please contact us.

Universal Input	High Efficiency	EMC Optimization	2MOPP/2MOOP	Reliability SCP OVP
Power Factor Correction	Inrush Current	Household	Medical	

## Model Name Definition

# UxOAT3300

x : Depend on Safety Standard

- Audio / AV / IT
  - N 62368-1
  - A 60065-1
  - I 60950-1
- Medical
  - M 60601-1
- Home
  - H 61558-1

## Product Highlights

- Stability
- Small Size
- Meet Complies with IEC61000-3-2
- Energy Efficiency
- Power Factor Correction
- Full Range Input Voltage (90Vac~264Vac)
- Appendix 8 of PSE : Comply with Dusty Requirement.

## Protection

- Short Circuit Protection
- Over Voltage Protection
- Over Current Protection
- Brown In and Brown Out Protection

## Standard\*

- Audio / AV / IT  
62368-1  
60065-1  
60950-1
- Medical  
60601-1
- Home  
61558-1
- Complies with DEN-AN

\*UxOAT 300W series is designed to MEET all standards above.

## Efficiency

- Up to

92%

## Emissions

- VCCI Class B
- CE CISPR 14 EN55014-1
- FCC Part15 Class B
- CE CISPR 32 EN55032
- BS EN 55032
- BS EN55011
- BS EN55014-1

(\*Power supply mounted) in user's metal chassis

## Immunity

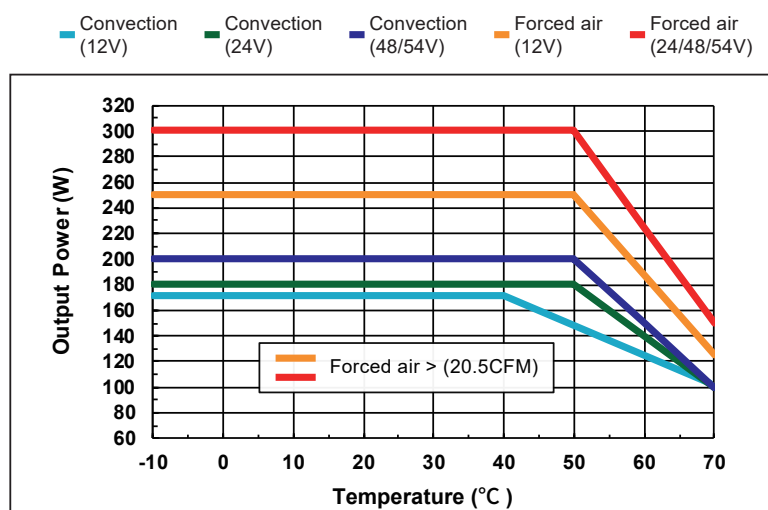
- EN 55035
- BS EN 55035
- EN60601-1-2
- BS EN60601-1-2
- EN55014-2
- BS EN55014-2

## Electrical Spec

Input					
Description	Min.	Typ.	Max.	Units	Comment
Voltage	90	100~240	264	Vac	
Frequency	47	50/60	63	Hz	

Environmental					
Description	Min.	Typ.	Max.	Units	Comment
Operating Temperature	-10	-	70	°C	Refer to Derating Curve(*1)
Storage Temperature	-20	-	85	°C	Free Convection,Sea Level
Operating Humidity	5	-	95	%RH	No Condensing
Storage Humidity	5	-	95	%RH	No Condensing

## Derating Curve(\*1)



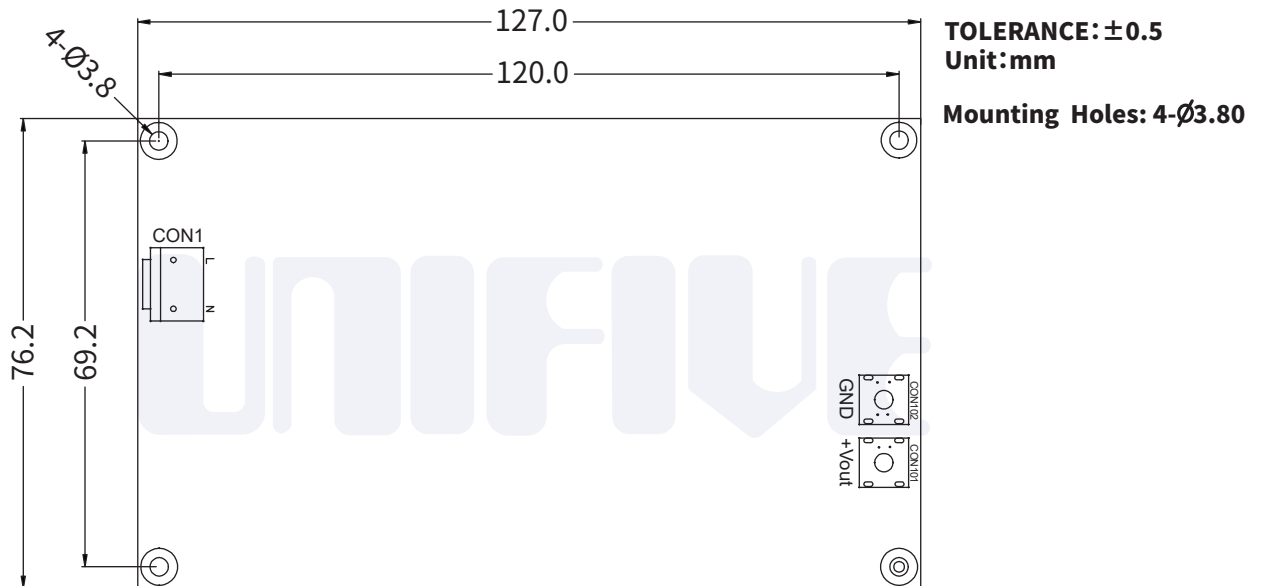
# Typical model list

Output Port	DC Output Voltage	DC Output Current		Output Voltage Precision	Ripple	Noise	Option/Remark
		Free Convection	Forced Air (*2)				
CON101 CON102	12.0V	12.5A	20.83A	±4%	120mV	240mV	
	24.0V	7.5A	12.5A	±4%	240mV	480mV	
	48.0V	4.16A	6.25A	±4%	480mV	480mV	
	54.0V	3.7A	5.56A	±4%	480mV	480mV	

■ Measurement Condition

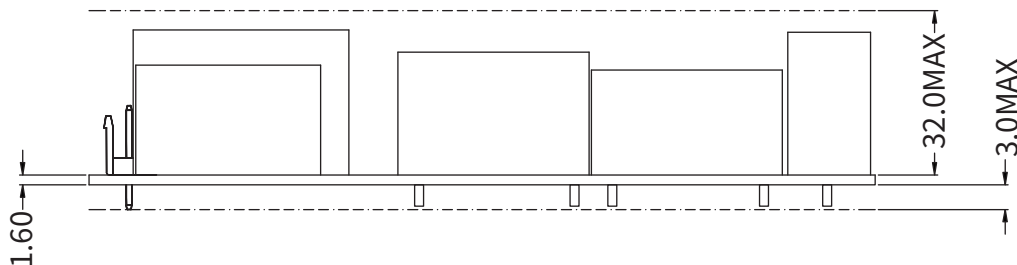
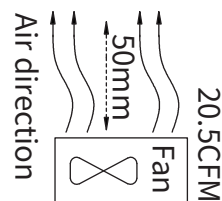
1. Measurements shall be made with an oscilloscope with 20MHz bandwidth.
  2. Outputs shall be bypassed at the connector with a 0.1uF ceramic disk capacitor and a 10uF electrolytic capacitor to simulate system loading.
- (\*2) Condition for forced air is no less than 20.5CFM.

# Mechanical Spec



**TOLERANCE: ±0.5**  
**Unit:mm**

**Mounting Holes: 4-Ø3.80**



**CON1**

PIN NUMBER	INPUT
1	AC(N)
2	AC(L)
3	AC(L)

CON1 : INPUT CONNECT  
MODEL NO : A3963WV-3P  
(THE EQUIVALENT)

**CON101**

PIN NUMBER	OUTPUT
1	+Vout

CON101 : OUTPUT CONNECT  
MODEL NO : PCB-10  
(THE EQUIVALENT)

**CON102**

PIN NUMBER	OUTPUT
1	GND

CON102 : OUTPUT CONNECT  
MODEL NO : PCB-10  
(THE EQUIVALENT)

■ Please contact our sales department for details of each model ■